

SMART HOME G 2.0 INSTALLATION REQUIREMENTS

Please read carefully the information on installing the Keemple Smart Home system. In particular, if you plan to make tenant changes or modifications to the electrical installation.

When to make an appointment for the installation of the system?

Order a visit from a Keemple installer when all renovation, finishing and adaptation works ("turnkey finishing") have been completed in the apartment. The apartment must be fitted with classic light switches and in the case of external blinds – also roller shutter switches. If you arrange a visit to the installer in an apartment that does not meet the above requirements, the installation of some devices will not be possible.

How to prepare for the installer's visit?

Take the Keemple Smart Home kit, a smartphone or tablet with Android (from Android 9) or iOS (from iOS 11.0) to the installation site. Phones with software older than those indicated above will not be able to support the application.

Make sure that the Internet is connected at the installation site. We recommend that all rooms in your apartment have a wireless Internet connection. All elements of the system that connect to Wi-Fi (gateway, universal IR driver, camera) operate in the 2.4 GHz band. You can connect the gateway to the router directly with a LAN cable, for this your router should have a free LAN port.

Remember to have a password for your Wi-Fi network ready, as it will be necessary for system setup.

Some of the Keemple Smart Home devices (gateway, camera, universal IR controller) require a power connection. Organize free electrical outlets near the place of their connection.

If you want to install an intelligent thermostat, check whether the elements of your central heating system are functional and have the appropriate technical parameters. The installation of the smart thermostat will be possible on a radiator equipped with a Danfoss RA or K valve (valve with a diameter of 30/1.5) in accordance with the product specifications.

If you want to configure a universal IR controller, make sure that during installation, devices operated by an infrared remote control (e.g. TV, home theater, air conditioner, ventilation) are available in the apartment.

READ CAREFULLY!

Below you will find the general requirements for electrical installation. They will be indispensable if you plan to make tenant changes in your apartment.

Keemple Smart Home devices should be used in accordance with the attached specification. For safety reasons, it is not possible to install Keemple devices in the bathroom (does not apply to flood sensor). Keemple devices should remain outside it.

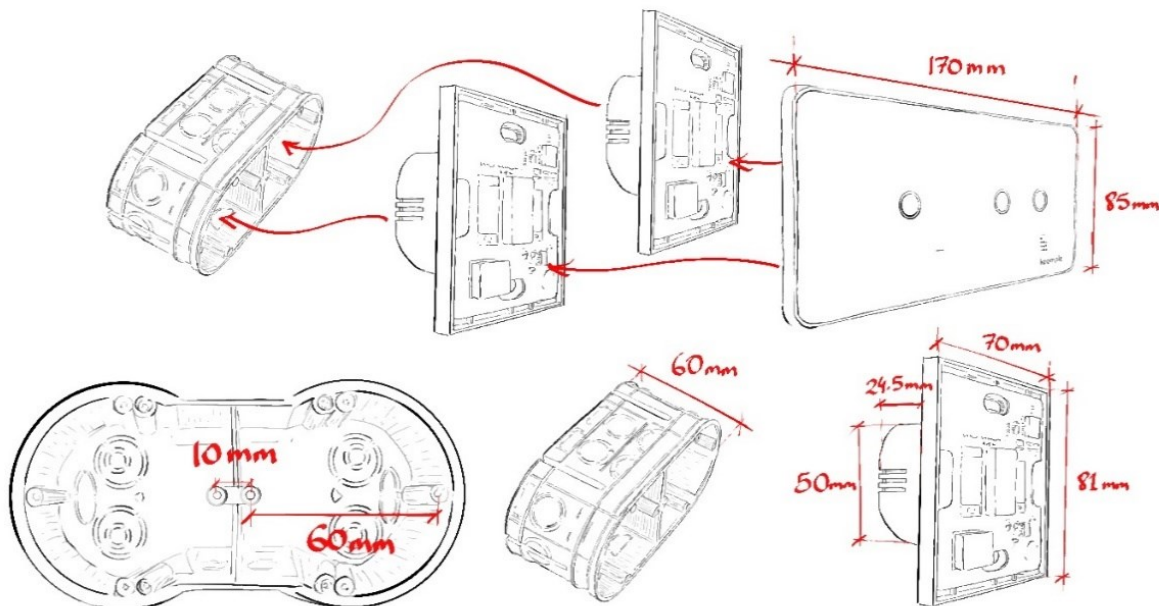
According to IEC 60346, all electrical boxes for Keemple devices must be equipped with a neutral (N) conductor. The lack of a cable will prevent their installation. Installation of lighting switches, roller shutter controllers, dimmers with a touch panel will be possible only in electrical boxes with a depth of 60 mm. It is necessary to leave a minimum of 25 mm of free space in the box (not counting wires).

Dimmer Switch works only with compatible dimmerable lighting or a voltage-controlled lighting system.

Curtain Switch controllers work with motors with a maximum power of 400 W powered and controlled 230 V.

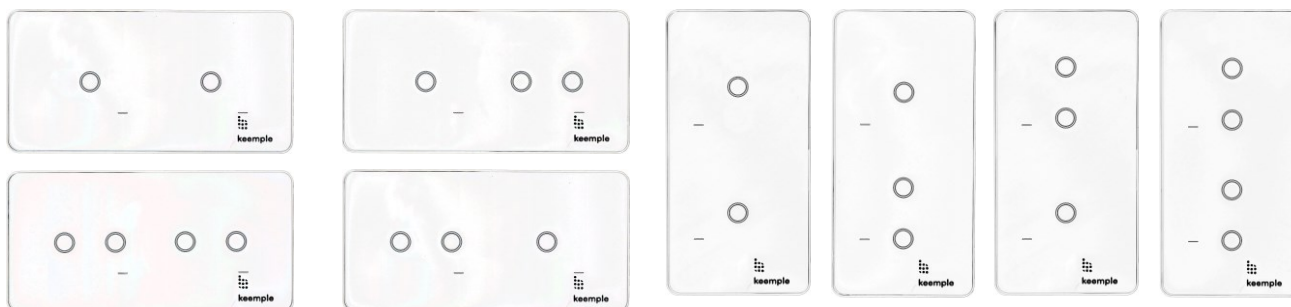
Keemple single and double switches can perform stair and cross functions. This is possible using the connections between devices in the Keemple app. No special electrical installation is required for this.

Keemple devices can be installed in double frames. Panel dimension: length 170 mm x width 85 mm. The double installation box must have a diameter and a depth of 60 mm.



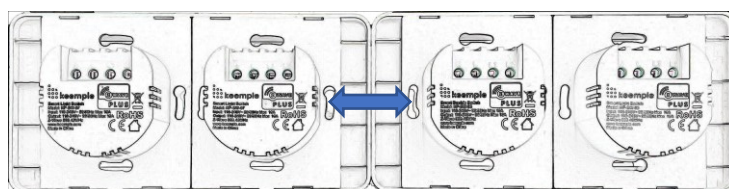
Horizontal and vertical double frames are available in the following combinations:

single + single (1+1); single + double (1+2);
double + single (2+1); Double + Double (2+2)

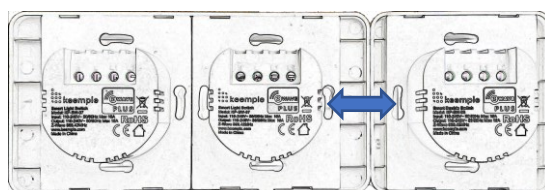


It is possible to place double frames, single panels and their combinations next to each other. In this case, appropriate distances should be maintained between the screws of the electric cans.

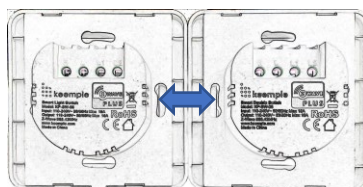
If you want to install two double frames side by side, keep a minimum distance of 40 mm between the mounting points.



Correct installation of double frames next to single panels requires a minimum distance of 33 mm between mounting points.



Installation of several individual panels next to each other will be possible while maintaining a minimum distance of 25 mm between the mounting points of electric cans.



How to arrange your installation?

Talk to a consultant by calling [22 295 18 34](tel:222951834) or send a message to wsparcie@keemple.pl